

1
DTL1
**CLIPPER C-96 WIND TURBINE
TUBULAR TOWER**
SCALE: NONE
CROSS REFERENCE: NONE

**Appendix A: Specifications and Supplemental
Construction Information**

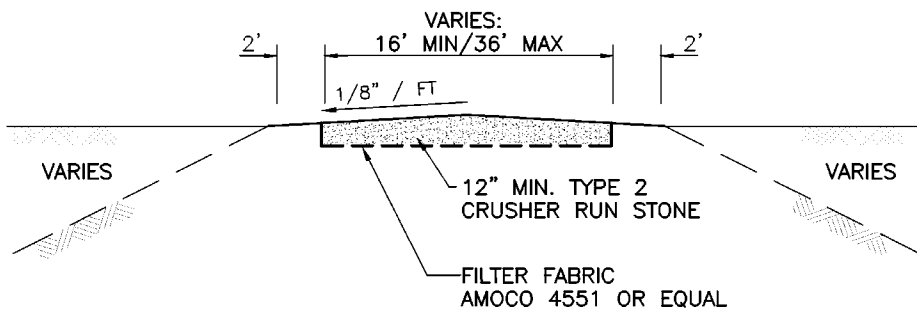
Cohocton Wind Power Project

Towns of Cohocton
Steuben County, New York

Prepared By:



November 2006



3 **TYPICAL ACCESS ROAD**

DTL1

SCALE: NONE
CROSS REFERENCE:

Appendix A: Specifications and Supplemental Construction Information

Cohocton Wind Power Project

Towns of Cohocton
Steuben County, New York

Prepared By:



FEEL THE WIND. THINK CLEAN.™

November 2006